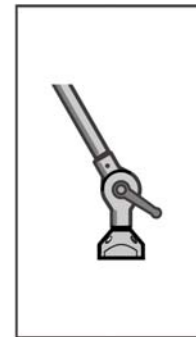
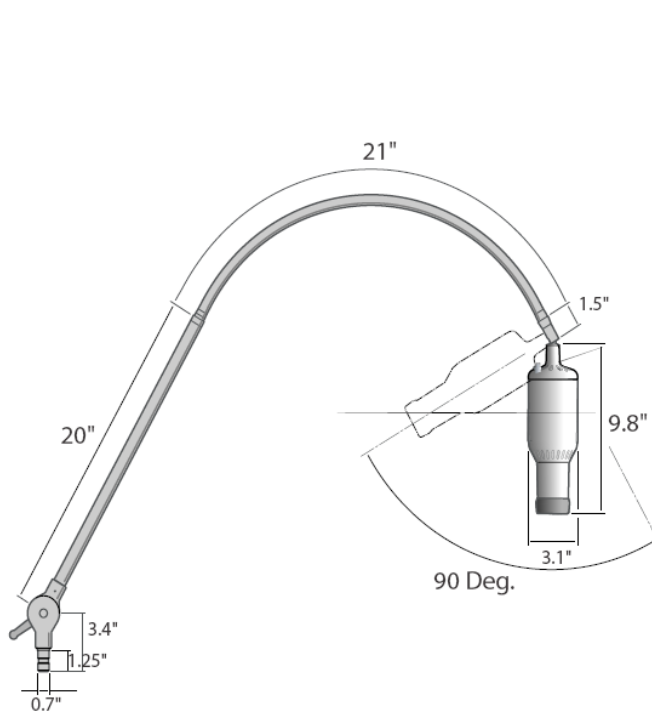


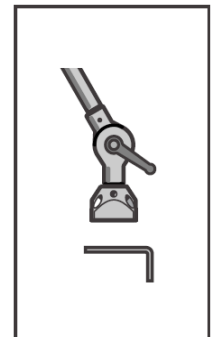
Installation Instructions Sunnex Solo Spot Exam Light

1.1 Applications

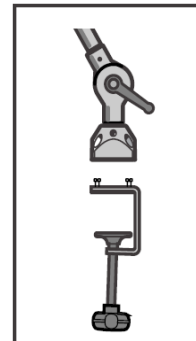
The Sunnex Solo Spot Series light was designed specifically for medical applications where a focused cool light is required.



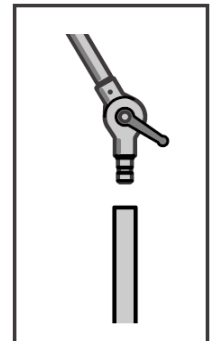
1. SoloSpot with direct mount



2. SoloSpot with wall mount



3. SoloSpot with C-Clamp



4. SoloSpot with trolley base

1.2 Operation of light

The arm system is fitted with a friction hinge, a fixed arm and a flexible gooseneck arm. Tightening the knob of the hinge when the fixed arm is in desired position, the gooseneck arm can then be set in desired position. The lamp head can be adjusted in order to obtain the best light intensity. The light can be mounted with direct mount (standard), rail-clamp (option), c-clamp (option), mobile stand (option) or wall attachment (option). The light can be switched on and off with the switch placed at the top of the lamp head.

NOTE! The switch only switches off the secondary voltage to the lamp. The plug-in transformer must be pulled out from the wall socket in order to disconnect the lamp unit from the main voltage.

1.3 Cleaning and Disinfection

The lamp fixture can be cleaned as needed with a damp cloth and a mild detergent. For disinfection use a soft cloth with a disinfectant solution such as isopropyl alcohol. NOTE! Do not introduce any fluids to the inside of the lamp head as this could cause a fire hazard.

The glass lens can be cleaned with a damp cloth and a mild detergent and inside part of the lens can be easily cleaned with Q-tips.

1.4 Service

The transformer, cold light reflector, and mounting parts can be replaced by the user, see 2.3.

Technical Data

2.1 Technical Data

| | |
|----------------|---|
| Voltage | 120V AC 50Hz (230V available) |
| Nominal effect | 20VA |
| Class | II |
| Transformer | Electronic Plug-in transformer (Part#: 28213) 110V/12V/60VA (230V available) Bulb: 12V/20W/NSP (Part#: 18562) Color Temperature (CCT): 4150K Color rendition index (CRI): 90% Central brightness at the distance of 1 meter (Ec): 14,700 Lux Total radiated output: 12W/m ² |

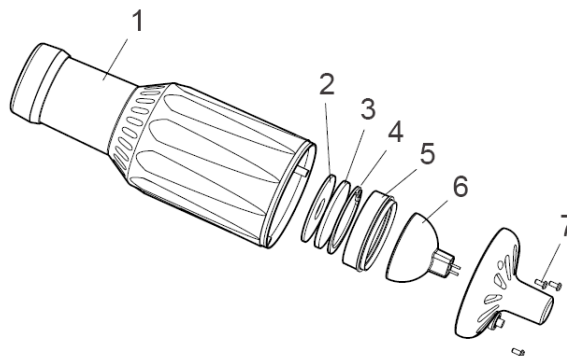
2.2 Transportation and Storage

This light is packaged in card board and should be transported protected from moisture. The light should be stored in a dry environment and room temperature.

Transportation and storage temperature: -5°F / -20°C to 140°F / 60°C

Humidity < 95%

2.3 Bulb replacement



1. Loosen the connecting cable from the transformer to make sure that lamp is not supplied with voltage.
2. Unscrew the three screws (# 7).
3. Release the lens shade (# 1). Important, note how the support ring (# 5) is seated in the lens shade.
4. Replace the damaged halogen cold light reflector (# 6). Only Sunnex cold light reflector with part no. 18562 must be used. **NOTE!** Make sure the cold light reflector is clean and without fingerprints.
5. Refit the lens shade, with the three screws. **NOTE!** The color filter must not be removed, since the color temperature of the lamp depends on this. A damaged color filter must be replaced immediately.

CAUTION! Be sure the lampshade components are properly seated when screws are tightened!

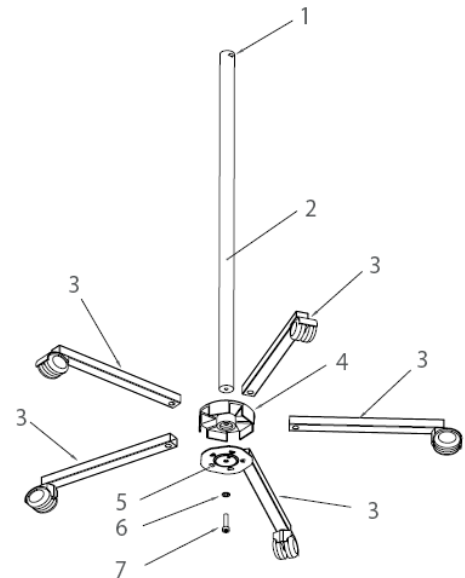
2.4 Assembly Instructions - Mobile

1. Place the 5-footed mid-section (# 4) on the stand pole. The tightness enables movement-free seating. Pre-assemble the clamp disk (# 5) with grooves facing inwards, the toothed disk (# 6) and the M8 screw (# 7) so the legs (# 3) can still be inserted easily in the footed mid-section. If wanted the enclosed holder for the plug-in transformer can be mounted and used with an extension cord in order to increase possible movement of the lamp. **NOTE!** Do not extend the secondary cable, as this will affect the function of the plug-in transformer. Slip five legs in to the footed mid-section.

NOTE! Place the two locking rollers as far apart as possible from each other. With a SW6 hexagonal wrench, tighten the clamp disk torque approx. 15 Nm. The grooves of the clamp disk must be in the holes of the feet so that each foot is locked into the footed mid-section.

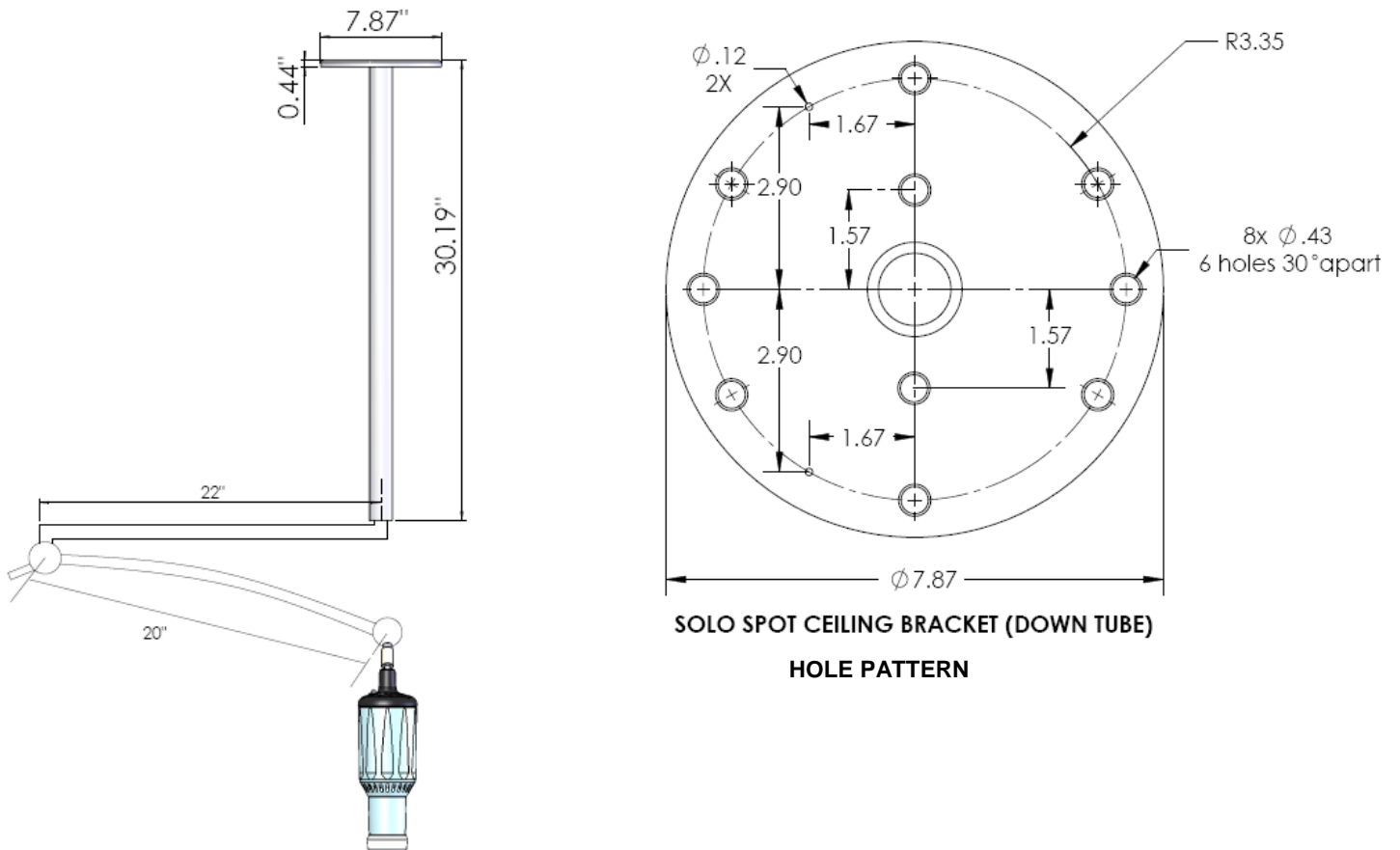
2. Release the screw (# 1), plug the lamp to the pole, and retighten the screw (# 1) until a slight resistance can be felt.

3. Make sure the complete unit is well secured.



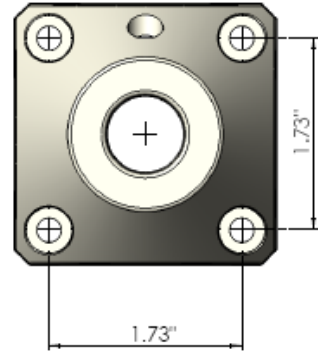
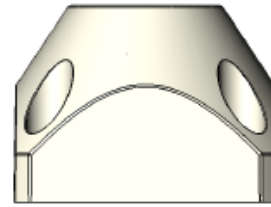
2.5 Assembly Instructions - Ceiling

1. Securely fasten lamp down tube from ceiling. It is recommended that 6-5/16" diameter or larger fasteners of the proper length for your individual application be used. Be sure down tube is securely mounted to structural framework. Down tube should be mounted plumb and square to ceiling surface.
2. Be sure transformer plug is not plugged into power source at this time.
3. After down tube support is secured plug electrical connectors at the end of the down tube support and lamp arm together.

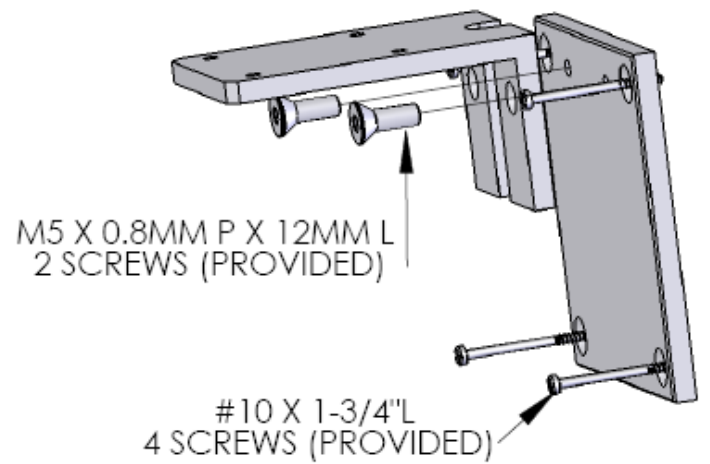
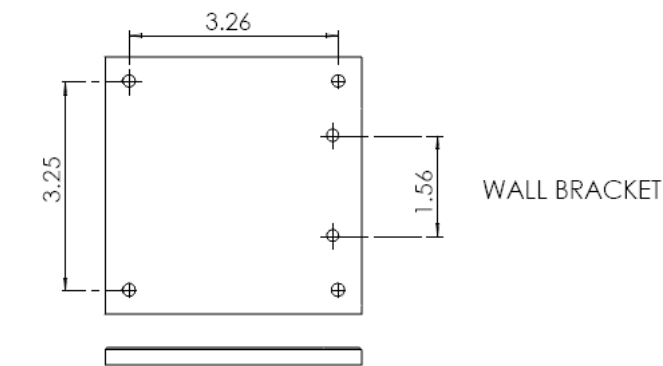
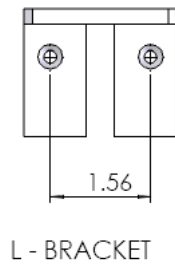
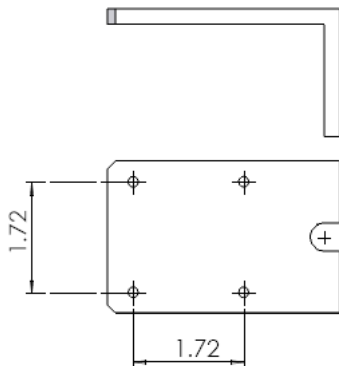


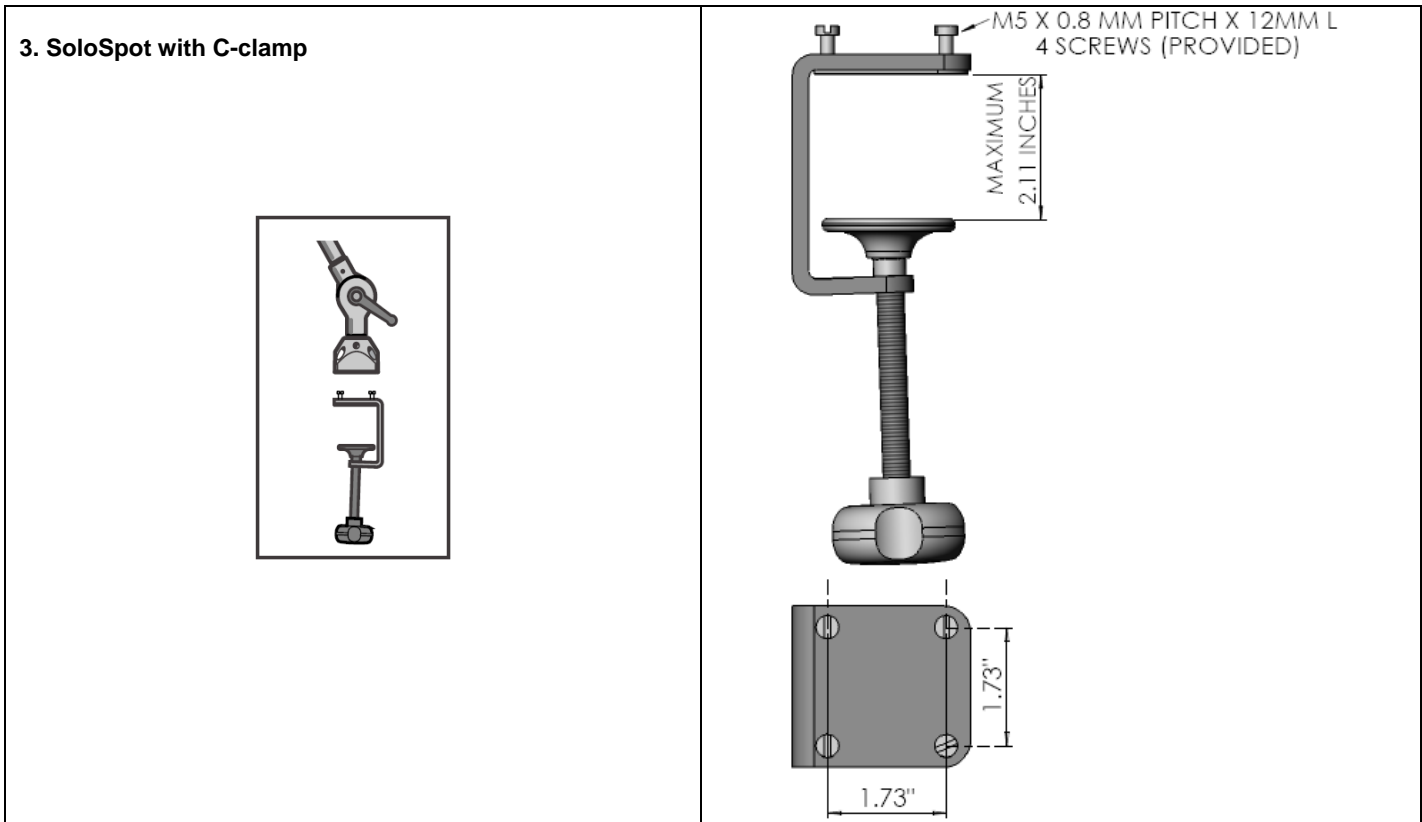
2.6 Installation with accessories

1. SoloSpot with direct mount









2. SoloSpot with wall mount





2.7 Symbols

| | | | |
|--------------------|---|---|---|
| CE-Mark |  | Safety class II: |  |
| AC powered: |  | Electronic plug-in transformer: |  |
| Low pressure bulb: |  | This product must be sorted as Waste from Electrical and Electronic Equipment (WEEE): |  |

3. Sunnex Limited Warranty

Sunnex warrants that its Products shall be free from defects in material and workmanship and this warranty shall remain in force and effect for a period of three (3) years from and after the date of its Delivery (the "Warranty Period") provided that this warranty shall be subject the following conditions:

- (a) the Sunnex Installation Instructions shall have been strictly complied with in all respects by the party performing the installation of the Product; and
- (b) the Product shall have been used only for the purposes for which it is intended and shall not have been abused, damaged or modified during installation or from usage.
- (c) ordinary wear and tear shall not be covered by the terms of this warranty.

(d) written notice to Sunnex of the defective Product shall be given within the Warranty Period. If a Product is found to be defective and the provisions of this Section have been complied with Sunnex will repair or replace the Product, at its expense.

Other than as herein expressly set forth there are no warranties made or given herein with respect to a product and the warranties given in statement are in lieu of all other warranties, which are hereby disclaimed. In particular, there are no express or implied warranties, and no warranty of merchantability or fitness for a particular purpose.

Sunnex will not be liable for any special, indirect, incidental or consequential damage, loss, cost or expense whatsoever arising from the installation or use of a product or from any other cause.

When making a claim against your Sunnex warranty, please provide the model number of your product, the date of purchase and a receipt or other proof of purchase to your Sunnex customer service representative. Sunnex Customer Service: (800)445-7869.