

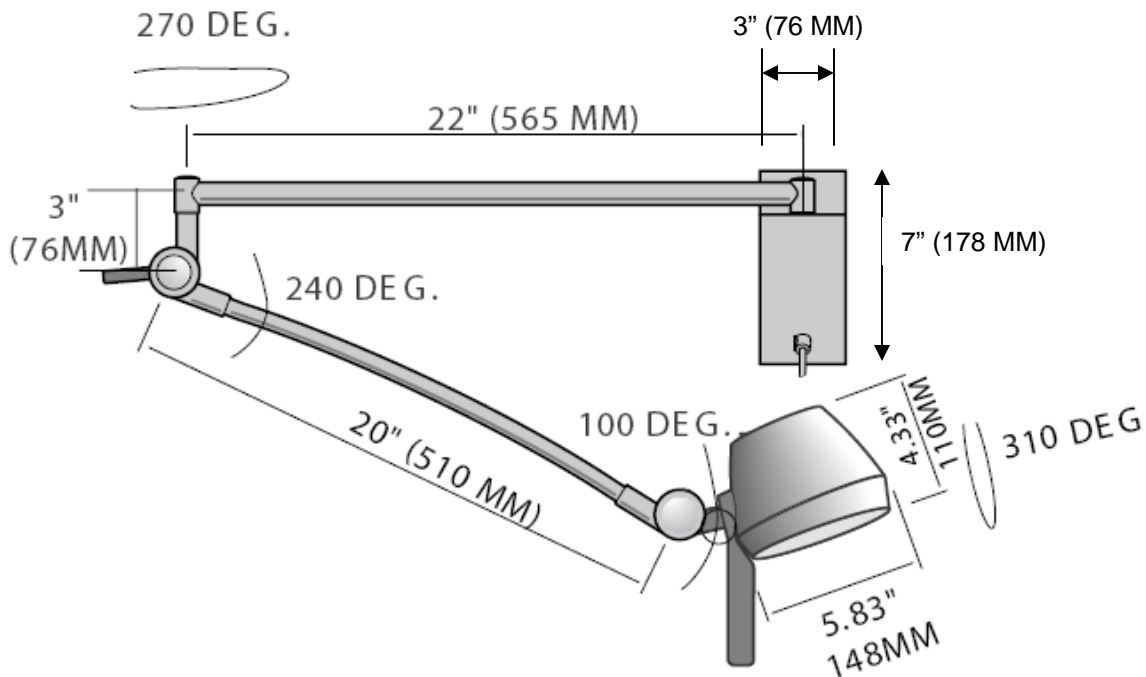
Installation Instructions

Sunnex PF Series Exam Lights

Models: PF2015-44, PF2017-44, PF28010, PF2006-32

1.1 Applications

The Sunnex PF Series light was designed specifically for medical applications. These versatile halogen lights are ideal for hospital exam areas where high lighting intensity is needed.



1.2 Operation of light

The arm system is fitted with a friction hinge, a fixed arm and a flexible gooseneck arm. Tightening the knob of the hinge when the fixed arm is in desired position, the gooseneck arm can then be set in desired position. The lamp head can be adjusted in order to obtain the best light intensity. The light can be switched on and off with the switch placed at the top of the lamp head.

NOTE! The switch only switches off the secondary voltage to the lamp. The plug-in transformer must be pulled out from the wall socket in order to disconnect the lamp unit from the main voltage.

1.3 Cleaning and Disinfection

The lamp fixture can be cleaned as needed with a damp cloth and a mild detergent. For disinfection use a soft cloth with a disinfectant solution such as isopropyl alcohol. **NOTE!** Do not introduce any fluids to the inside of the lamp head as this could cause a fire hazard.



The glass lens can be cleaned with a damp cloth and a mild detergent and inside part of the lens can be easily cleaned with Q-tips.

1.4 Service

The transformer, cold light reflector, and mounting parts can be replaced by the user, see section 3. All other service can only be carried out by Sunnex. Only original parts must be used, if not the technical characteristics of the lamp might be changed.

2. Technical Data

2.1 Manufacturer

<u>Sales office</u> Sunnex, Inc. 3 Huron Drive Natick, MA 01760, USA Phone: 508-651-0009 Fax: 508-651-0099 Email: sunnex@sunnex.com	<u>Production Facility</u> Sunnex, Inc. 3 Huron Drive Natick, MA 01760, USA Phone: 508-651-0009 Fax: 508-651-0099 Email: sunnex@sunnex.com
---	--

2.2 Technical Data

Main Voltage	120VAC 60Hz
Nominal effect	60W
Transformer	Plug-in transformer INPUT: 120VAC, 60Hz OUTPUT: 12VAC
Bulb	12V/50W/SP

Only original accessories must be used with PF light. The PF light is equipped with a rocker ON-OFF switch on the lamp head that should be used to turn the light ON and OFF.

The complete light must be recycled in accordance with WEEE standard.

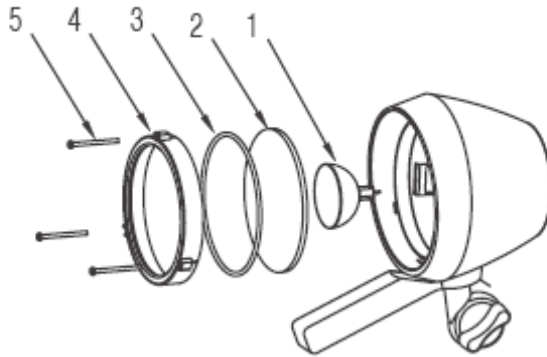
2.3 Transportation and Storage

This light is packaged in card board and should be transported protected from moisture. The light should be stored in a dry environment and room temperature.

Transportation and storage temperature: -5°F / -20°C to 140°F / 60°C

Humidity < 95%

3. Bulb Replacement



- 1. 50W Halogen MR16 bulb, part#: 32146
- 2. Lens, part#: 32140
- 3. O-Ring, part#: 32135
- 4. Lens Cover, part#: 32141
- 5. Lens Cover screws T10 Torx head, part#: 32142

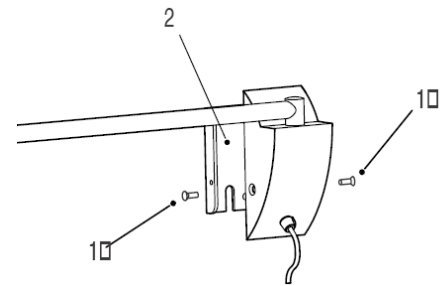
1. Unplug lamp from power source and wait at least one hour for lamp to cool.
2. Remove the three small Torx head screws (5) and remove the lens (2), o-ring (3) and lens cover (4).
3. Grip bulb (1) and firmly pull straight out from the bulb socket on the lamp back
4. Align the pins of the new bulb with the pin holes in the bulb socket and firmly push the new bulb straight into socket. **Note! Do not touch the halogen bulb with bare fingers as dirt and oil from hands could cause a fire hazard.**
5. Reposition lampshade and components on lamp back. Align the three screw holes in the lamp back and shade. Reinstall the three screws and securely tighten them.

4. Mounting Instructions

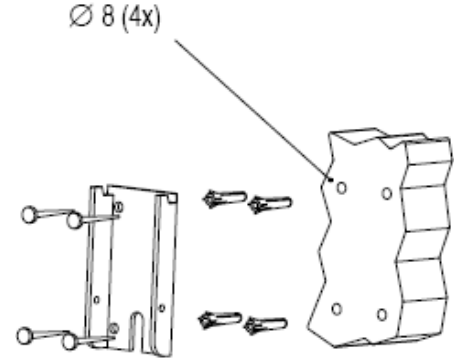
4.1 PF Wall (PF2015-44)

Wall Mount - 50W - Plug-in transformer

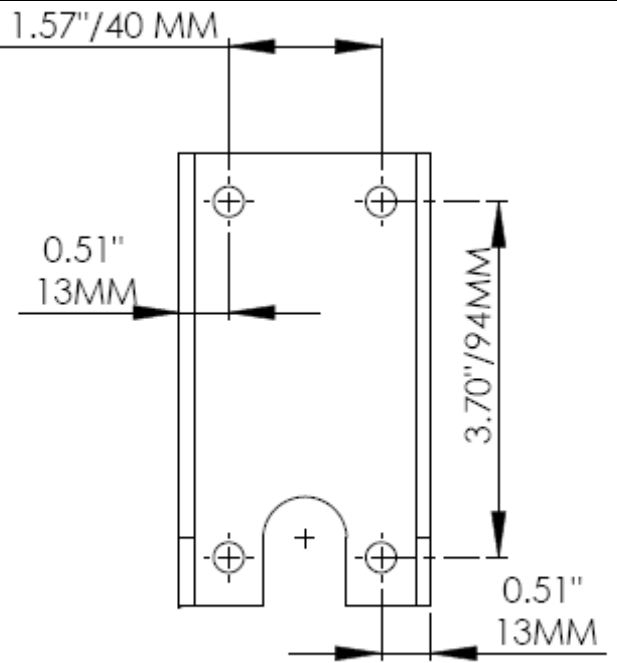
- A. Remove the screws in the wall plate (1&2).
- B. Remove the wall plate from casing (2)
- C. Drill 4 holes (8mm) in alignment with the holes in wall plate. Make sure plate is leveled. **NOTE! Wall plate must be mounted to wall stud or structural member.**
- D. Insert the anchors into the holes and attach the wall plate with the screws provided.
- E. Attach wall casing to the wall plate with provided screws.
- F. Make sure the wall casing is securely fastened to the plate and adjust and tighten the arm as needed.



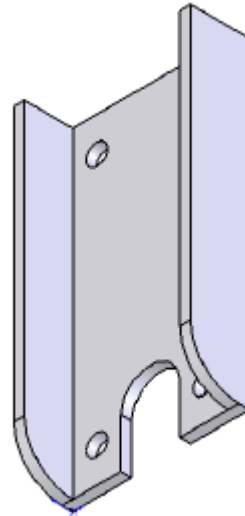
G. Plug the transformer into power outlet and turn on lamp with switch on back of lamp head.



CAUTION! The arm is equipped with friction joints. Do not tighten the joints excessively as this will cause uneven movement and could damage the arm.



PF WALL BRACKET HOLE PATTERN



5.2 PF Ceiling (PF2017-44)

Ceiling Mount - 50W - Plug-in transformer

A. Securely fasten lamp down tube from ceiling. It is recommended that 6-5/16" diameter or larger fasteners of the proper length for your individual application be used. Be sure down tube is securely mounted to structural framework. Down tube should be mounted plumb and square to ceiling surface.

B. Be sure transformer plug is not plugged into power source at this time.

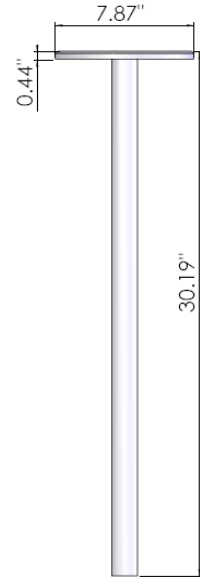
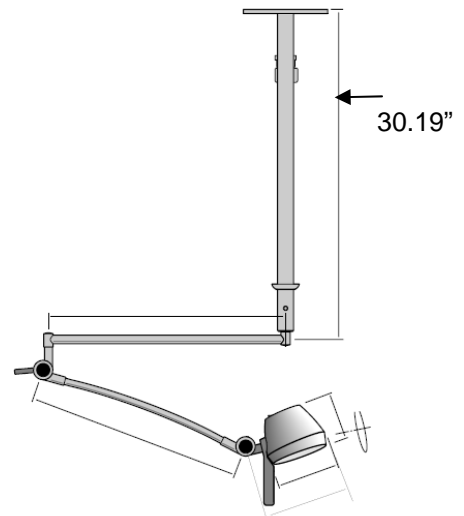
C. After down tube support is secured plug electrical connectors at the end of the down tube support and lamp arm together.

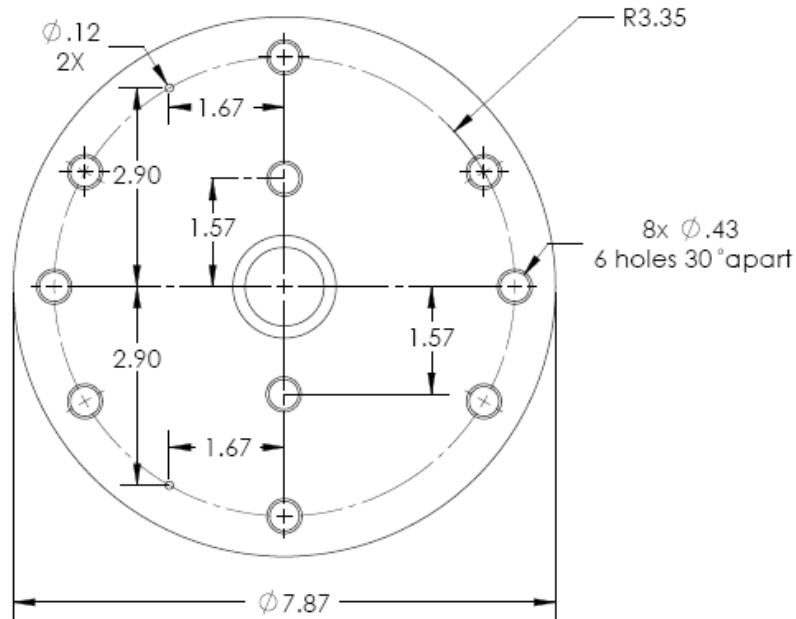
D. Remove the two Phillips head screws supplied in lamp mounting bushing, insert lamp mounting bushing into down tube barrel. Line up screw holes through the down tube and the lamp mounting bushing and securely tighten fasteners.

E. Plug lamp transformer into electrical outlet.

F. Test operation of lamp

CAUTION! The arm is equipped with friction joints. Do not tighten the joints excessively as this will cause uneven movement and could damage the arm.

**PF CEILING DOWN TUBE****Refer to first page for dimensions**



PF CEILING BRACKET HOLE PATTERN (DIMENSIONS IN INCHES)

5.3 PF Mobile (PF2006-32)

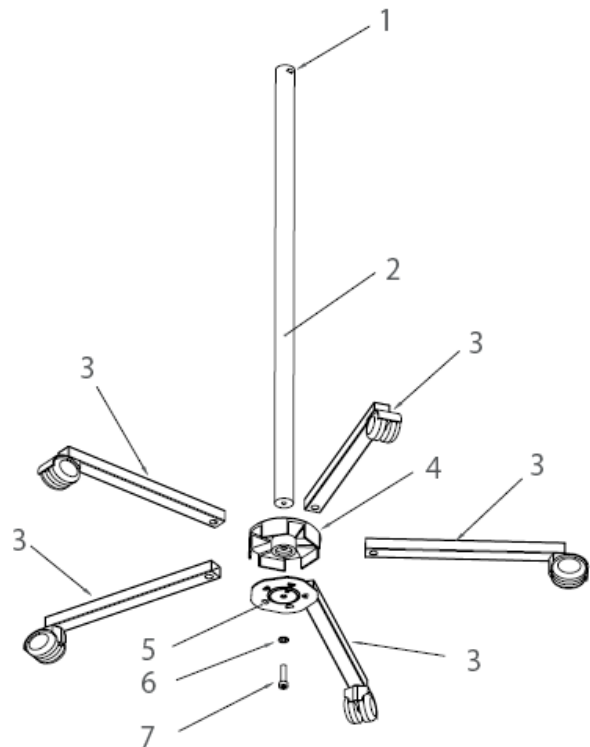
Mobile caster base - 50W

A. Place the pole (2) in the center housing (4)

B. Press down until you feel resistance. Assemble the clamp plate (5) using the provided screw (7) and washer (6). Do not tighten the screw. The teeth on the plate should face inwards.

C. Insert each of the 5 legs into the center housing, and place the 2 lockable casters on opposite sides.

D. Tighten the screw (7). Secure the legs in the housing by lining up the teeth on the clamp plate (5) with the holes in the legs.



Insert Arm Assembly into caster pole

- A. Loosen the set screw in the pole. Insert the stem of the light fixture arm into the pole and tighten the set screw until you feel resistance.
- B. Verify that the arm is securely locked in the pole.
- C. Turn on the light by pushing rocker switch on back of lamp

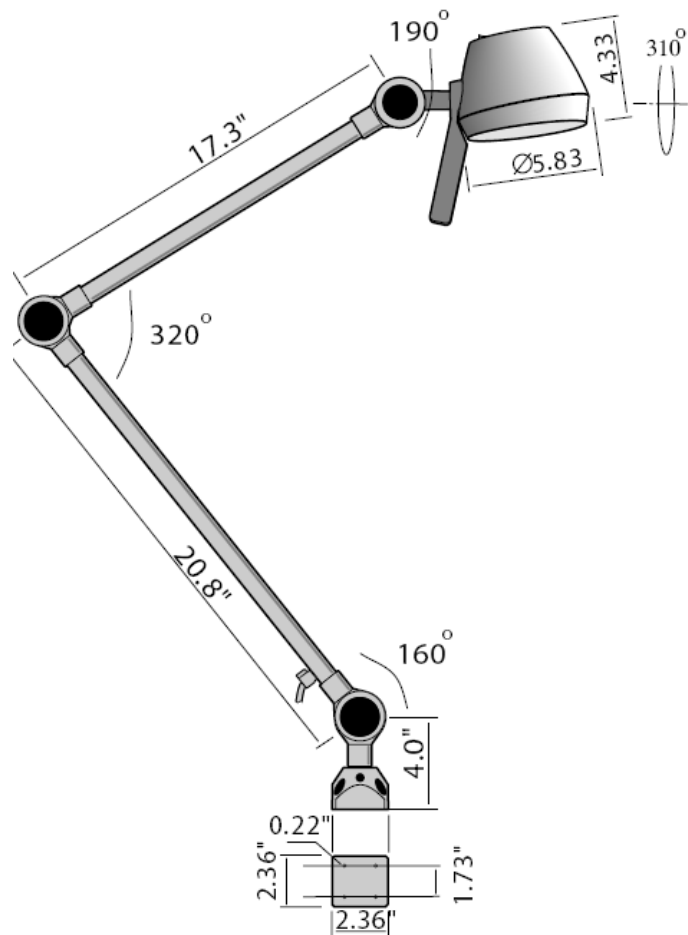
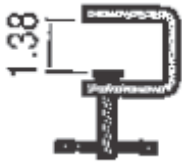


5.4 PF Direct Mount (PF28010)




Direct Mount Articulated arm - 50W

The PF28010 can be directly mounted to a plane surface. An optional C-clamp is also available.

C-clamp part # 18021



6. Symbols

CE-Mark	
AC powered:	
This product must be sorted as Waste from Electrical and Electronic Equipment (WEEE):	

7. Sunnex Limited Warranty

Sunnex warrants that its Products shall be free from defects in material and workmanship and this warranty shall remain in force and effect for a period of three (3) years from and after the date of its Delivery (the "Warranty Period") provided that this warranty shall be subject the following conditions:

- (a) the Sunnex Installation Instructions shall have been strictly complied with in all respects by the party performing the installation of the Product; and
 - (b) the Product shall have been used only for the purposes for which it is intended and shall not have been abused, damaged or modified during installation or from usage.
 - (c) ordinary wear and tear shall not be covered by the terms of this warranty.
 - (d) written notice to Sunnex of the defective Product shall be given within the Warranty Period.
- If a Product is found to be defective and the provisions of this Section have been complied with Sunnex will repair or replace the Product, at its expense.

Other than as herein expressly set forth there are no warranties made or given herein with respect to a product and the warranties given in statement are in lieu of all other warranties, which are hereby disclaimed. In particular, there are no express or implied warranties, and no warranty of merchantability or fitness for a particular purpose.

Sunnex will not be liable for any special, indirect, incidental or consequential damage, loss, cost or expense whatsoever arising from the installation or use of a product or from any other cause.

When making a claim against your Sunnex warranty, please provide the model number of your product, the date of purchase and a receipt or other proof of purchase to your Sunnex customer service representative. Sunnex Customer Service: (800)445-7869.

Sunnex, Inc
 3 Huron Drive
 Natick, MA 01760
 Ph: (800)445-7869
 Fax: (508)651-0099
 Email: sunnex@sunnex.com

REV. 1.0
AUGUST 2007