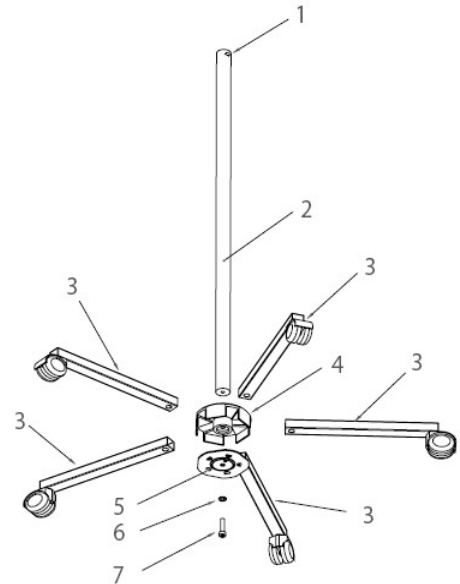


2.0 Assembly Instructions

2.1 SoloSpot Mobile (HM2006-38EXT)

1. Place the pole (2) in the center housing (4)
2. Press down until you feel resistance.
Assemble the clamp plate (5) using the provided screw (7) and washer (6). Do not tighten the screw. The teeth on the plate should face inwards.
3. Insert each of the 5 legs into the center housing, and place the 2 lockable casters on opposite sides.
4. Tighten the screw (7). Secure the legs in the housing by lining up the teeth on the clamp plate (5) with the holes in the legs.



1. SoloSpot with direct mount

